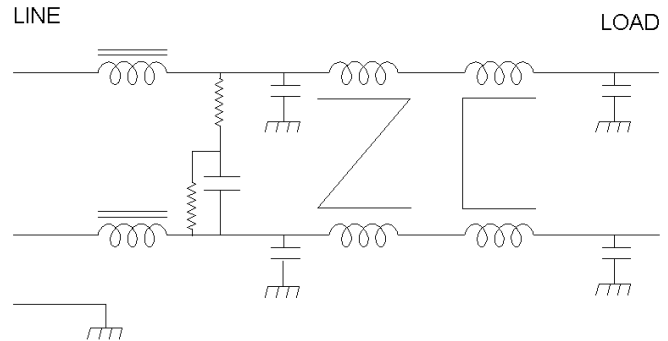


The AA-1355-13HT filter has been designed to operate with two VICOR Harmonic Attenuator Modules (HAM). This filter was specifically designed to allow the Vicor HAM and associated power converters to meet Mil-Std-461C or Mil-Std-461D & E.

This version of the filter is configured for those applications where a chassis mount for the filter is preferred.

The HAM will meet Mil-Std-461C, D, E & F with this filter.

The difference between the AA-1355-13 and the AA-1355-13HT is that the HT will operate over a wider temperature range.



Operating voltage _____ 85 to 250 V~
 Operating current _____ 13 Amp
 Operating frequency _____ 50/400 Hz
 Max. Volt Drop @ 13 amps _____ 0.8 volt

Operating temperature, High _____ 60°C
 Operating temperature, Low _____ -40° C,
 Diel. withstanding (line - case) _____ 1500 Vac
 Diel. withstanding (line - line) _____ 1500 Vdc

Leakage current _____ 2.5 ma @ 220 V, 60 Hz
 Max residual voltage after 1 sec _____ 34 Volts

Applicable Specifications _____ Mil-Std-461C, D, E, F

