



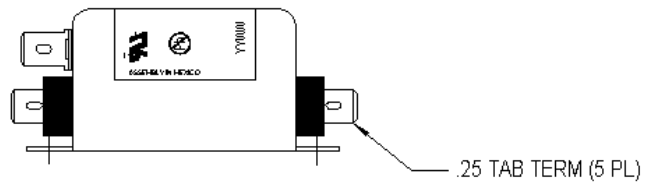
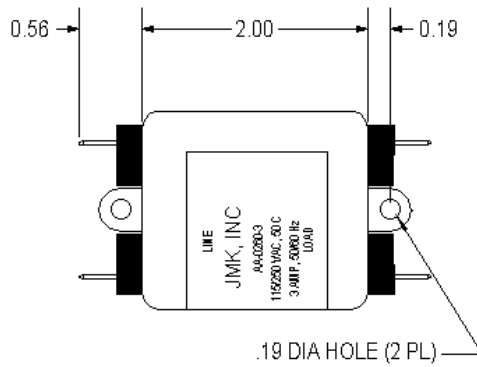
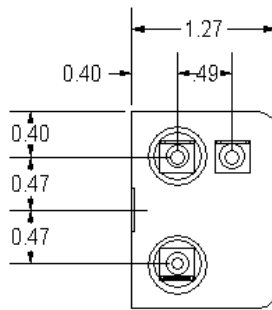
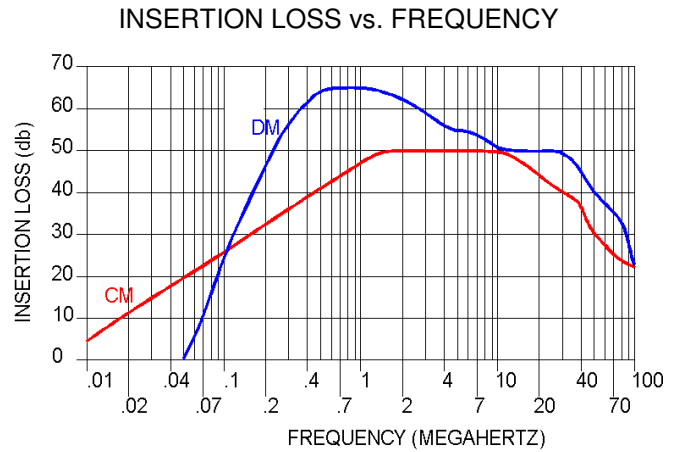
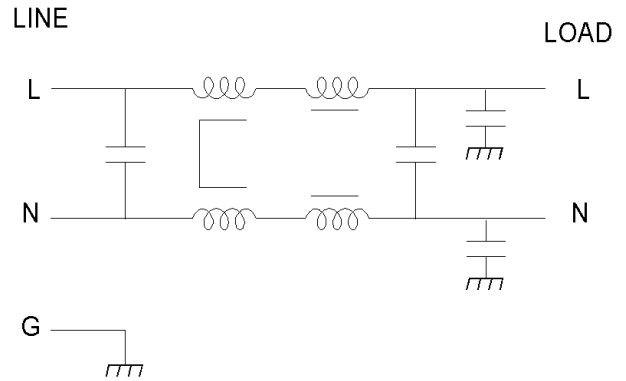
AA-0260-3

Operating Voltage = _____ 125/250 Vac
 Operating Current Max = _____ 3.0 Amp
 Operating Frequency = _____ 50/400 Hz
 Operating Temperature = _____ -20° to 50°C

Diel. Withstand (Line to Case) = _____ 1500V; 1 Min
 Diel. Withstand (Line to Line) = _____ 1500V; 1 Min

Leakage Current = ____ 0.5 mA (Max) @ 250 VAC, 60Hz
 Residual Voltage after 1.0 sec = _____ 34 V Max
 Voltage Drop = _____ 1.0 volt max at 3 Amp

Calculated MTBF = _____ 4,681,538 Hrs @ 30°C GB



USA JMK Inc 15 Caldwell Dr. Amherst, NH 03031 PH: 603 886-4100 FX: 603 886-4115
 email: info@jmkfilters.com
 EUR JMK Inc Glasgow G13 1DN Scotland UK PH: 44-(0) 7785310729 Fax: 44-(0) 141 589 1884