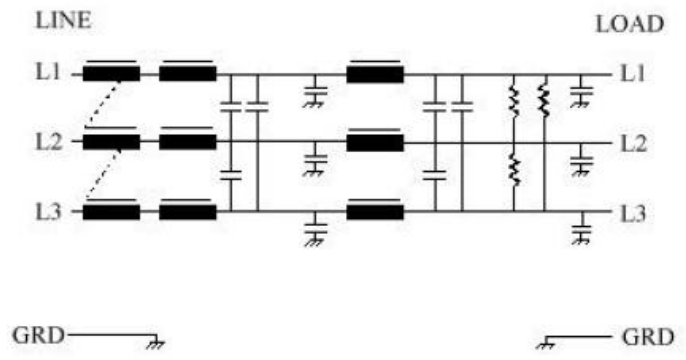




0664D SERIES

The 664D filter is a 3 phase (Delta) filter.
 This series is designed to be used with military systems which are required to meet the conducted emission levels of MIL-STD-461, CE03.
 Minor modifications can be done to adjust the Environmental and vibration specs.
 Calculated MTBF, FR = 2.389477
 = 418505 hours @ 30oC GB calculated



Operating Voltage = 250/480 V ac
 Operating Current Max= 7 & 1 0 amps
 Operating Frequency = 50 - 400Hz
 Operating Temperature= -20 to +50oC
 Die Withstand (L to Case)= 1 500V ~for 1 Min.
 Die Withstand (L to L)= 1 500V dc for 1 Min.
 Leakage current @ 250V ~60Hz=
 1.0 mA at 250V ac, 400Hz
 Max Residual Voltage after 5 secs = 34 V olts
 Max

