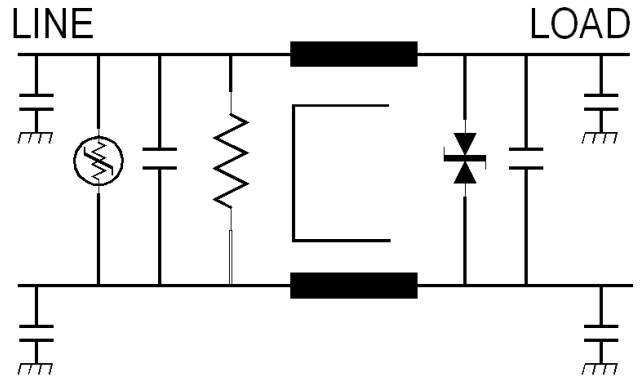




# AA-1506-12

This economical filter is designed to operate in severe environments such as Mil-Std-704. The filter is configured to operate in the EMC environment of Mil-Std-461B or Mil-Std-461C. It has a very good common mode and differential mode insertion loss and also features transient energy suppression of 20 joules. The standard filter will work well in office or light vibration environments. The (-12B) model is more rugged with a wider temperature range and capable of sustaining motor vehicle shock and vibration levels.



Operating Voltage = \_\_\_\_\_ 36.0 Vdc (Max)  
 Temperature Operating= \_\_\_\_\_ -20 to 50C ( Std )  
 Operating Current = \_\_\_\_\_ 12 amp  
 Temperature Operating= \_\_\_\_\_ -40 to 55C ( -12B)  
 Diel. Withstd (Line to Case)= \_\_ 1500Vdc for 1 Min:  
 Diel. Withstd (Line to Line) = \_\_ 707Vdc for 1 Min  
 Transient energy absorption = \_20 Joules (10x1000 us)  
 Calculated MTBF = 2,088,620 hours GB @ 30oC

Order P/N: AA-1506-12 (for Standard temp range )  
 : AA-1506-12B (for wider temp range )

